



# PRICELIST 6TH OCTOBER 2025

## 30% OFF RANGEHOOD OFFER

See page 3 for details



 **MADE IN BRITAIN**  
SINCE 1830

# WITH A FALCON AT THE HEART OF THE KITCHEN, THE KITCHEN IS ALWAYS THE HEART OF THE HOME.

## WHY CHOOSE FALCON?

Falcon range cookers are hand built in Royal Leamington Spa (U.K.), at the original site where they have been produced for more than 190 years.

With over 150 different design combinations to choose from, there is a Falcon cooker to match your style. Choose from modern industrial, traditional country or contemporary designs in a wide range of colour and trim finishes.

And with a 5 year warranty, you can be assured of the superior quality and craftsmanship that Falcon puts into every range cooker.

## FALCON COLOUR RANGE

Refer to model table for available colours within each range.

### FALCON STANDARD COLOURS



Black

Stainless Steel

White

Slate

### FALCON SPECIAL COLOURS



Mineral Green

Stone Blue

Charcoal Black

Cream

Cranberry

Royal Blue

# IMPORTANT FALCON INFORMATION

## 30% OFF RANGEHOOD OFFER

Purchase a Falcon cooking package containing one Falcon upright range cooker and one Falcon rangehood in a single transaction and you will receive a 30% discount off the original price of the rangehood. Range cooker and Rangehood must be on same proforma. 30% discount off the Rangehood may be used in conjunction with other Falcon offers where specified in the terms of those offers. Available from 1st February 2024.

## FALCON OFFER A STANDARD 5 YEAR WARRANTY

All Falcon appliances are covered by full 5 year (60 months) parts and labour warranty. Andi-Co Australia Pty. Ltd. warrants that if any part in the domestic product fails due to a defect in materials or workmanship during the 5 year (60 months) warranty period commencing from the date of invoice to the Customer, Andi-Co Australia Pty. Ltd. will provide free of charge, all labour and related service costs to replace the defective part. The warranty is valid on the condition that Falcon appliances are installed in full accordance with the manufacturers installation instructions and in a tradesman-like manner, otherwise guarantee will be void. Where applicable, Falcon cooking appliances must be installed by a qualified electrician or plumber. Failure to produce documentary proof of approved installation will negate the 5 year (60 month) warranty.



## DELIVERY

Direct home deliveries are available for those residing within eligible postcodes in metropolitan areas - please visit [www.andico.com.au](http://www.andico.com.au) for a list of eligible postcodes. Direct home deliveries within metropolitan areas are free of charge for Falcon range cookers and rangehoods. Our free delivery service includes delivery into a ground floor (maximum three steps) location into a room of your choice. Product will be delivered packed ready for your installer to unpack and install. The delivery will be made using appropriate material handling equipment which requires solid surfaces that can bear the load, and clear access for the width and height of the appliance, as well as room to navigate corners etc. Anything additional to this may incur additional charges. Accessories will only be direct delivered if purchased and delivered in conjunction with a Falcon range cooker and / or rangehood. Alternatively, goods will be delivered free of charge to the place of purchase (retailer). Please note for all deliveries that are not eligible for home delivery (postcodes that are not listed) the Falcon appliances will be delivered direct to the place of purchase.

**Special Order** (special order models denoted in red)

By placing an order for a special order cooker, the customer has accepted the following terms and conditions: 1. Cancellation of orders will not be accepted under any circumstances. 2. Andi-Co will notify the customer when goods arrive. 3. 16 weeks is an approximate time frame only - goods may arrive earlier or later than anticipated due to circumstances out of Andi-Co Australia's control.

\* Order via Andi-Co spare parts division only.

Every effort is made to ensure all information and specifications within this document is correct and up to date. Due to continuous improvements on both technical and manufacturing level this information should be regarded as indicative only.

# KITCHENER



The original Falcon range cooker, the Kitchener was first launched back in 1830 and it's still one of our most popular models today. Kitchener combines timeless design with modern performance, offering spacious ovens, a powerful cooktop, and everyday versatility. From family dinners to weekend entertaining, it delivers reliable functionality in a classic style.



Chrome Fittings

## DUAL FUEL

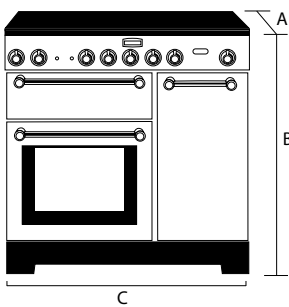


DOUBLE ELECTRIC FAN FORCED OVENS, SEPARATE GRILL, GAS COOK TOP

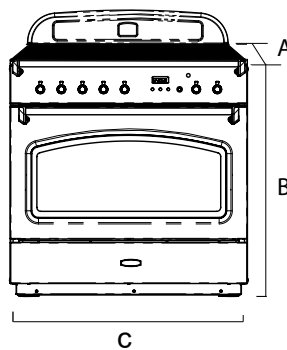
90cm Model	Colour	Price
KCH90DFSS/CH	Kitchener 90cm Stainless Steel & Chrome Dual Fuel Cooker	\$8,799
KCH90DFBL/CH	Kitchener 90cm Black & Chrome Dual Fuel Cooker	
KCH90DFFCR/CH	Kitchener 90cm Cream & Chrome Dual Fuel Cooker	\$9,299

Special Order (special order models denoted in red).

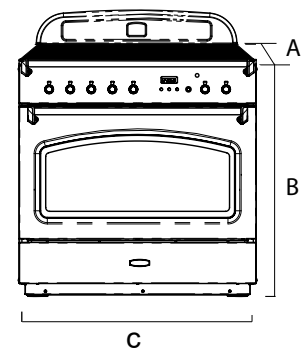
## DIMENSIONS



Kitchener 90cm Dual Fuel  
 A: 604 / 652mm  
 B: 905 - 930mm  
 C: 900mm  
 A: Depth Ex / Inc Handles



Classic FX 90cm Dual Fuel  
 A: 608 - 669mm  
 B: 909 - 930mm  
 C: 900mm  
 A: Depth Ex / Inc Handles



Classic FX 90cm Induction  
 A: 607 - 671mm  
 B: 905 - 930mm  
 C: 900mm  
 A: Depth Ex / Inc Handles



## CLASSIC FX

With a wealth of features, including a large capacity multifunction oven and an energy saving panel, generous flexible hob space and a full width storage drawer, the Classic FX 90 range cooker offers traditional styling with a full width towel rail, classic control dials and a detachable mini splashback. Stylish yet practical, it's designed to suit the way you cook.



Chrome Fittings



Brass Fittings

## DUAL FUEL



SINGLE ELECTRIC MULTI FUNCTION OVEN WITH 3x SETS OF TELESCOPIC RUNNERS, ENERGY SAVING PANEL, GAS COOK TOP

90cm Model	Colour	Price
CLA90FXDFBL/CH	Classic FX 90cm Black & Chrome Dual Fuel Cooker	\$10,499
CLA90FXDFBL/BR	Classic FX 90cm Black & Brass Dual Fuel Cooker	
CLA90FXDFS/CH	Classic FX 90cm Slate & Chrome Dual Fuel Cooker	
CLA90FXDFS/BR	Classic FX 90cm Slate & Brass Dual Fuel Cooker	
CLA90FXDFWH/CH	Classic FX 90cm White & Chrome Dual Fuel Cooker	
CLA90FXDFWH/BR	Classic FX 90cm White & Brass Dual Fuel Cooker	
CLA90FXDFCR/CH	Classic FX 90cm Cream & Chrome Dual Fuel Cooker	\$10,999
CLA90FXDFCR/BR	Classic FX 90cm Cream & Brass Dual Fuel Cooker	
CLA90FXDFMG/CH	Classic FX 90cm Mineral Green & Chrome Dual Fuel Cooker	
CLA90FXDFMG/BR	Classic FX 90cm Mineral Green & Brass Dual Fuel Cooker	
CLA90FXDFSB/CH	Classic FX 90cm Stone Blue & Chrome Dual Fuel Cooker	
CLA90FXDFSB/BR	Classic FX 90cm Stone Blue & Brass Dual Fuel Cooker	

## INDUCTION



SINGLE ELECTRIC MULTI FUNCTION OVEN WITH 3x SETS OF TELESCOPIC RUNNERS, ENERGY SAVING PANEL, INDUCTION COOK TOP

90cm Model	Colour	Price
CLA90FXEIBL/CH	Classic FX 90cm Black & Chrome Induction Cooker	\$12,499
CLA90FXEIBL/BR	Classic FX 90cm Black & Brass Induction Cooker	
CLA90FXEISL/CH	Classic FX 90cm Slate & Chrome Induction Cooker	
CLA90FXEISL/BR	Classic FX 90cm Slate & Brass Induction Cooker	
CLA90FXEIWH/CH	Classic FX 90cm White & Chrome Induction Cooker	
CLA90FXEIWH/BR	Classic FX 90cm White & Brass Induction Cooker	
CLA90FXEICR/CH	Classic FX 90cm Cream & Chrome Induction Cooker	\$12,999
CLA90FXEICR/BR	Classic FX 90cm Cream & Brass Induction Cooker	
CLA90FXEIMG/CH	Classic FX 90cm Mineral Green & Chrome Induction Cooker	
CLA90FXEIMG/BR	Classic FX 90cm Mineral Green & Brass Induction Cooker	
CLA90FXEISB/CH	Classic FX 90cm Stone Blue & Chrome Induction Cooker	
CLA90FXEISB/BR	Classic FX 90cm Stone Blue & Brass Induction Cooker	

Special Order (special order models denoted in red).



If oven size flexibility is what you are looking for then look no further than the revolutionary Falcon Professional+ FX / FXP 90 range cooker. Both offer a single cavity oven, however feature a unique energy saving panel, which enables you to split the oven in half giving you the option of a very large oven for feeding your family or a compact single oven. FXP also includes a pyrolytic function for easy cleaning.



### DUAL FUEL

SINGLE ELECTRIC MULTI FUNCTION OVEN WITH 3x SETS OF TELESCOPIC RUNNERS, ENERGY SAVING PANEL, GAS COOK TOP

90cm Model	Colour	Price
PROP90FXDFSS/CH	Pro FX 90cm Stainless Steel & Chrome Dual Fuel Cooker	\$10,499
PROP90FXDFGB/CH	Pro FX 90cm Gloss Black & Chrome Dual Fuel Cooker	
PROP90FXDFSL/CH	Pro FX 90cm Slate & Chrome Dual Fuel Cooker	



### INDUCTION

SINGLE ELECTRIC MULTI FUNCTION OVEN WITH 3x SETS OF TELESCOPIC RUNNERS, ENERGY SAVING PANEL, INDUCTION COOK TOP

90cm Model	Colour	Price
PROP90FXEISS/CH	Pro FX 90cm Stainless Steel & Chrome Induction Cooker	\$12,499
PROP90FXEIGB/CH	Pro FX 90cm Gloss Black & Chrome Induction Cooker	
PROP90FXEISL/CH	Pro FX 90cm Slate & Chrome Induction Cooker	



### DUAL FUEL

SINGLE ELECTRIC MULTI FUNCTION OVEN, PYROLYTIC, ENERGY SAVING PANEL, GAS COOK TOP

90cm Model	Colour	Price
PROP90FXPDFSS/CH	Pro FXP 90cm Stainless Steel & Chrome Dual Fuel Cooker	\$11,799
PROP90FXPDFGB/CH	Pro FXP 90cm Gloss Black & Chrome Dual Fuel Cooker	
PROP90FXPDFSL/CH	Pro FXP 90cm Slate & Chrome Dual Fuel Cooker	



Chrome Fittings



## PROFESSIONAL FX 100

A great choice for modern or traditional kitchens, the Professional+ 100 FX range cooker features easy-access drop-down doors and durable rotary controls and handles. The easy-clean enamel multifunction ovens offer plenty of cooking space while the full width storage drawer is handy for keeping baking trays within easy reach. The five-burner gas hob is fully flexible and comes with a wok cradle and griddle.



Chrome Fittings

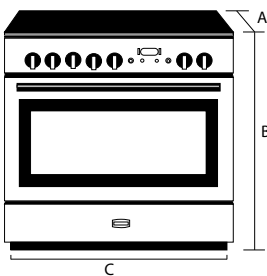
## DUAL FUEL



DOUBLE ELECTRIC MULTI FUNCTION OVENS, STORAGE DRAWER, GAS COOK TOP

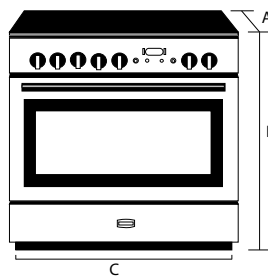
100cm Model	Colour	Price
PROPL100FXDFSS/CH	Pro FX 100cm Stainless Steel & Chrome Dual Fuel Cooker	\$11,199
PROPL100FXDFGB/CH	Pro FX 100cm Gloss Black & Chrome Dual Fuel Cooker	
PROPL100FXDFSL/CH	Pro FX 100cm Slate & Chrome Dual Fuel Cooker	

## DIMENSIONS



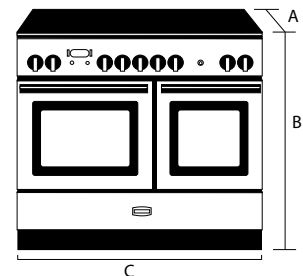
Professional 90cm FX (Both)  
 A: 608 / 642mm  
 B: 905 - 930mm  
 C: 900mm

A: Depth Ex / Inc Handles



Professional 90cm FXP  
 A: 608 / 645mm  
 B: 905 - 930mm  
 C: 900mm

A: Depth Ex / Inc Handles



Professional FX 100cm  
 A: 604 / 642mm  
 B: 905 - 930mm  
 C: 994mm

A: Depth Ex / Inc Handles



Falcon's Classic Deluxe offers an array of oven functions including rapid response for faster pre-heating, a deluxe glide-out grill, plus a bread proving drawer (110cm only). Bevelled doors, arched glass windows, a handy towel rail with chunky control knobs and handles make the Classic Deluxe ideal for a traditional kitchen décor or as a statement piece within a modern setting.



## DUAL FUEL

DOUBLE ELECTRIC MULTI FUNCTION OVEN & FAN OVEN, SEPARATE GRILL, GAS COOK TOP

90cm Model	Colour	Price	
CDL90DFBL/CH	Classic Deluxe 90cm Black & Chrome Dual Fuel Cooker	\$12,999	
CDL90DFBL/BR	Classic Deluxe 90cm Black & Brass Dual Fuel Cooker		
CDL90DFSL/CH	Classic Deluxe 90cm Slate & Chrome Dual Fuel Cooker		
CDL90DFSL/BR	Classic Deluxe 90cm Slate & Brass Dual Fuel Cooker		
CDL90DFWH/CH	Classic Deluxe 90cm White & Chrome Dual Fuel Cooker		
CDL90DFWH/BR	Classic Deluxe 90cm White & Brass Dual Fuel Cooker		
CDL90DFCR/CH	Classic Deluxe 90cm Cream & Chrome Dual Fuel Cooker	\$13,499	
CDL90DFCR/BR	Classic Deluxe 90cm Cream & Brass Dual Fuel Cooker		
CDL90DFCY/CH	Classic Deluxe 90cm Cranberry & Chrome Dual Fuel Cooker		
CDL90DFCY/BR	Classic Deluxe 90cm Cranberry & Brass Dual Fuel Cooker		
CDL90DFRB/CH	Classic Deluxe 90cm Royal Blue & Chrome Dual Fuel Cooker		
CDL90DFRB/BR	Classic Deluxe 90cm Royal Blue & Brass Dual Fuel Cooker		
CDL90DFMG/CH	Classic Deluxe 90cm Mineral Green & Chrome Dual Fuel Cooker		
CDL90DFMG/BR	Classic Deluxe 90cm Mineral Green & Brass Dual Fuel Cooker		
CDL90DFSB/CH	Classic Deluxe 90cm Stone Blue & Chrome Dual Fuel Cooker	\$14,499	
CDL90DFSB/BR	Classic Deluxe 90cm Stone Blue & Brass Dual Fuel Cooker		
CDL110DFBL/CH	Classic Deluxe 90cm Black & Chrome Dual Fuel Cooker		\$15,099
CDL110DFBL/BR	Classic Deluxe 90cm Black & Brass Dual Fuel Cooker		
CDL110DFSL/CH	Classic Deluxe 90cm Slate & Chrome Dual Fuel Cooker		
CDL110DFSL/BR	Classic Deluxe 90cm Slate & Brass Dual Fuel Cooker		
CDL110DFWH/CH	Classic Deluxe 90cm White & Chrome Dual Fuel Cooker		
CDL110DFWH/BR	Classic Deluxe 90cm White & Brass Dual Fuel Cooker		
CDL110DFCR/CH	Classic Deluxe 90cm Cream & Chrome Dual Fuel Cooker	\$15,099	
CDL110DFCR/BR	Classic Deluxe 90cm Cream & Brass Dual Fuel Cooker		
CDL110DFCY/CH	Classic Deluxe 90cm Cranberry & Chrome Dual Fuel Cooker		
CDL110DFCY/BR	Classic Deluxe 90cm Cranberry & Brass Dual Fuel Cooker		
CDL110DFRB/CH	Classic Deluxe 90cm Royal Blue & Chrome Dual Fuel Cooker		
CDL110DFRB/BR	Classic Deluxe 90cm Royal Blue & Brass Dual Fuel Cooker		
CDL110DFMG/CH	Classic Deluxe 90cm Mineral Green & Chrome Dual Fuel Cooker		
CDL110DFMG/BR	Classic Deluxe 90cm Mineral Green & Brass Dual Fuel Cooker		
CDL110DFSB/CH	Classic Deluxe 90cm Stone Blue & Chrome Dual Fuel Cooker	\$15,099	
CDL110DFSB/BR	Classic Deluxe 90cm Stone Blue & Brass Dual Fuel Cooker		



Chrome Fittings



Brass Fittings

## INDUCTION

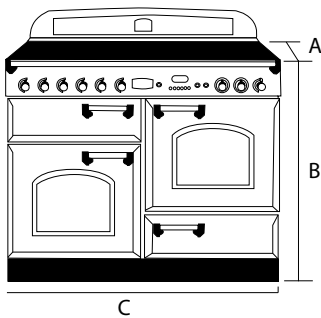


DOUBLE ELECTRIC MULTI FUNCTION OVEN & FAN OVEN, SEPARATE GRILL, INDUCTION COOK TOP

90cm Model	Colour	Price	
CDL90EIBL/CH	Classic Deluxe 90cm Black & Chrome Induction Cooker	\$14,799	
CDL90EIBL/BR	Classic Deluxe 90cm Black & Brass Induction Cooker		
CDL90EISL/CH	Classic Deluxe 90cm Slate & Chrome Induction Cooker		
CDL90EISL/BR	Classic Deluxe 90cm Slate & Brass Induction Cooker		
CDL90EIWH/CH	Classic Deluxe 90cm White & Chrome Induction Cooker		
CDL90EIWH/BR	Classic Deluxe 90cm White & Brass Induction Cooker		
CDL90EICR/CH	Classic Deluxe 90cm Cream & Chrome Induction Cooker	\$15,299	
CDL90EICR/BR	Classic Deluxe 90cm Cream & Brass Induction Cooker		
CDL90EIRB/CH	Classic Deluxe 90cm Royal Blue & Chrome Induction Cooker		
CDL90EIRB/BR	Classic Deluxe 90cm Royal Blue & Brass Induction Cooker		
CDL90EIMG/CH	Classic Deluxe 90cm Mineral Green & Chrome Induction Cooker		
CDL90EIMG/BR	Classic Deluxe 90cm Mineral Green & Brass Induction Cooker		
CDL90EISB/CH	Classic Deluxe 90cm Stone Blue & Chrome Induction Cooker	\$16,499	
CDL90EISB/BR	Classic Deluxe 90cm Stone Blue & Brass Induction Cooker		
CDL110EIBL/CH	Classic Deluxe 110cm Black & Chrome Induction Cooker		\$17,099
CDL110EIBL/BR	Classic Deluxe 110cm Black & Brass Induction Cooker		
CDL110EISL/CH	Classic Deluxe 110cm Slate & Chrome Induction Cooker		
CDL110EISL/BR	Classic Deluxe 110cm Slate & Brass Induction Cooker		
CDL110EIWH/CH	Classic Deluxe 110cm White & Chrome Induction Cooker		
CDL110EIWH/BR	Classic Deluxe 110cm White & Brass Induction Cooker		
CDL110EICR/CH	Classic Deluxe 110cm Cream & Chrome Induction Cooker	\$17,099	
CDL110EICR/BR	Classic Deluxe 110cm Cream & Brass Induction Cooker		
CDL110EIRB/CH	Classic Deluxe 110cm Royal Blue & Chrome Induction Cooker		
CDL110EIRB/BR	Classic Deluxe 110cm Royal Blue & Brass Induction Cooker		
CDL110EIMG/CH	Classic Deluxe 110cm Mineral Green & Chrome Induction Cooker		
CDL110EIMG/BR	Classic Deluxe 110cm Mineral Green & Brass Induction Cooker		
CDL110EISB/CH	Classic Deluxe 110cm Stone Blue & Chrome Induction Cooker	\$17,099	
CDL110EISB/BR	Classic Deluxe 110cm Stone Blue & Brass Induction Cooker		

Special Order (special order models denoted in red).

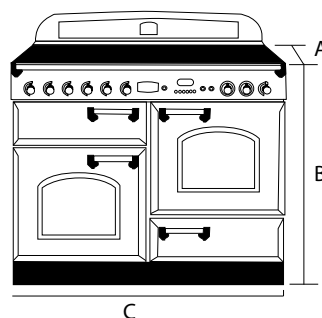
## DIMENSIONS



Classic Deluxe 110cm Dual Fuel

A: 608 / 670mm  
B: 905 - 930mm  
C: 1092mm

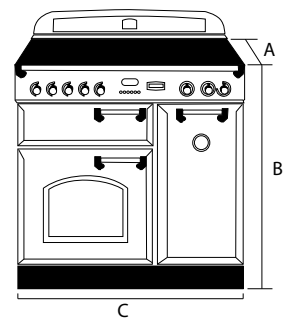
A: Depth Ex / Inc Handles



Classic Deluxe 110cm Induction

A: 608 / 670mm  
B: 905 - 930mm  
C: 1100mm

A: Depth Ex / Inc Handles



Classic Deluxe 90cm Induction

A: 608 / 670mm  
B: 905 - 930mm  
C: 900mm

A: Depth Ex / Inc Handles



The Nexus is a range cooker from Falcon with a contemporary style that scores highly in terms of functions and design. The Nexus models look stunning in a modern high-gloss kitchen or an open-plan scheme. Available in a simple and sophisticated colour palette with satin chrome trim, induction features a bridging zone with griddle plate, plus a bread proving drawer in 110cm models.



Chrome Fittings

## DUAL FUEL



DOUBLE ELECTRIC MULTI FUNCTION & FAN OVEN, SEPARATE GRILL, GAS COOK TOP

90cm Model	Colour	Price
NEX90DFSS/CH	Nexus 90cm Stainless Steel & Chrome Dual Fuel Cooker	\$13,499
NEX90DFBL/CH	Nexus 90cm Black & Chrome Dual Fuel Cooker	
NEX90DFWH/CH	Nexus 90cm White & Chrome Dual Fuel Cooker	
NEX90DFSL/CH	Nexus 90cm Slate & Chrome Dual Fuel Cooker	
110cm Model	Colour	Price
NEX110DFSS/CH	Nexus 110cm Stainless Steel & Chrome Dual Fuel Cooker	\$15,799
NEX110DFBL/CH	Nexus 110cm Black & Chrome Dual Fuel Cooker	
NEX110DFWH/CH	Nexus 110cm White & Chrome Dual Fuel Cooker	
NEX110DFSL/CH	Nexus 110cm Slate & Chrome Dual Fuel Cooker	

## INDUCTION



DOUBLE ELECTRIC MULTI FUNCTION & FAN OVEN, SEPARATE GRILL, INDUCTION COOK TOP

90cm Model	Colour	Price
NEX90EISS/CH	Nexus 90cm Stainless Steel & Chrome Induction Cooker	\$15,699
NEX90EIBL/CH	Nexus 90cm Black & Chrome Induction Cooker	
NEX90EIWH/CH	Nexus 90cm White & Chrome Induction Cooker	
NEX90EISL/CH	Nexus 90cm Slate & Chrome Induction Cooker	
110cm Model	Colour	Price
NEX110EIWH/CH	Nexus 110cm White & Chrome Induction Cooker	\$17,999

# NEXUS SE



Like the Nexus, the sleek design and the colour palette of the Nexus SE suits a contemporary kitchen and open-plan living. With no less than three ovens, a deluxe glide-out grill and the choice between our multi-zoned gas hob and our latest induction hob with bridging-zone, the Nexus SE offers great cooking flexibility, making it the ideal cooking partner for any enthusiastic cook or food lover.



Chrome Fittings

## DUAL FUEL



DOUBLE ELECTRIC MULTI FUNCTION OVEN & FAN OVEN WITH TELESCOPIC RAILS, SLOW COOK OVEN, SEPARATE GRILL, GAS COOK TOP

110cm Model	Colour	Price
NEXSE110DFSS/CH	Nexus SE 110cm Stainless Steel & Chrome Dual Fuel Cooker	\$15,999
NEXSE110DFBL/CH	Nexus SE 110cm Black & Chrome Dual Fuel Cooker	
NEXSE110DFSL/CH	Nexus SE 110cm Slate & Chrome Dual Fuel Cooker	
<b>NEXSE110DFCB/CH</b>	<b>Nexus SE 110cm Charcoal Black Dual Fuel Cooker</b>	<b>\$16,599</b>

## INDUCTION

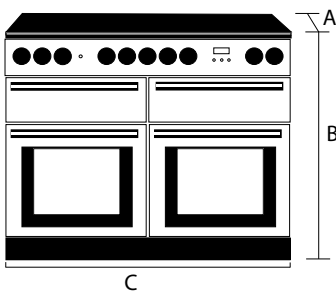


DOUBLE ELECTRIC MULTI FUNCTION OVEN & FAN OVEN WITH TELESCOPIC RAILS, SLOW COOK OVEN, SEPARATE GRILL, INDUCTION COOKTOP

110cm Model	Colour	Price
NEXSE110EISS/CH	Nexus SE Stainless Steel & Chrome Induction Cooker	\$18,199
NEXSE110EIBL/CH	Nexus SE Black & Chrome Induction Cooker	
NEXSE110EISL/CH	Nexus SE 110cm Slate & Chrome Induction Cooker	
<b>NEXSE110EICB/CH</b>	<b>Nexus SE 110cm Charcoal Black Induction Cooker</b>	<b>\$18,799</b>

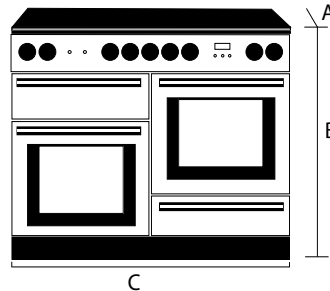
*Special Order* (special order models denoted in red).

## DIMENSIONS



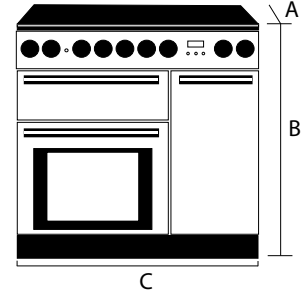
Nexus SE 110cm Dual Fuel | Induction  
 A: 608 / 648mm      A: 608 / 646mm  
 B: 905 - 930mm      B: 905 - 930mm  
 C: 1092mm            C: 1100mm

A: Depth Ex / Inc Handles



Nexus 110cm Dual Fuel | Induction  
 A: 608 / 648mm      A: 608 / 646mm  
 B: 905 - 930mm      B: 905 - 930mm  
 C: 1092mm            C: 1100mm

A: Depth Ex / Inc Handles



Nexus 90cm (both)  
 A: 608 / 648mm  
 B: 905 - 930mm  
 C: 900mm

A: Depth Ex / Inc Handles

## CANOPIES



Falcon rangehoods play a very important role in the kitchen, particularly for those who use their cooktop regularly. Falcon's Infusion and Canopy rangehoods are extremely powerful and efficient at drawing moisture / steam away, and minimising excess odour, smoke and air borne grease build-up on surrounding cabinetry.



4620000496



4620000497

## CANOPIE RANGEHOODS

CANOPIES – MAX 770M<sup>3</sup>/HR, 2 x 20W HALOGEN LIGHTS, SLIDER CONTROLS

Model	Description	Price
FALHDCP90SC	Canopy 90cm Stainless Steel, 770m <sup>3</sup> /hr ducted	\$2,999
FALHDCP90BC	Canopy 90cm Black, 770m <sup>3</sup> /hr ducted	
FALHDCP110SC	Canopy 110cm Stainless Steel, 770m <sup>3</sup> /hr ducted	\$3,899
FALHDCP110BC	Canopy 110cm Black, 770m <sup>3</sup> /hr ducted	

## INFUSION CANOPIES

INFUSION CANOPIES – MAX i880 (intensive 6 mins), 2 x 1W LED, PUSH BUTTON CONTROLS

Model	Description	Price
FALHDS90SS	Infusion Canopy 90cm Stainless Steel, i880 <sup>3</sup> /hr ducted	\$3,199
FALHDS90BL	Infusion Canopy 90cm Black, i880 <sup>3</sup> /hr ducted	
FALHDS90SL	Infusion Canopy 90cm Slate, i880 <sup>3</sup> /hr ducted	
FALHDS110SS	Infusion Canopy 110cm Stainless Steel, i880 <sup>3</sup> /hr ducted	\$4,099
FALHDS110BL	Infusion Canopy 110cm Black, i880 <sup>3</sup> /hr ducted	
FALHDS110SL	Infusion Canopy 110cm Slate, i880 <sup>3</sup> /hr ducted	

## ACCESSORIES

ACCESSORIES - TO SUIT FALHDCP ONLY

Model	Description	Price
*4620000496	Stainless Steel extension flue, 614mm high (replaces existing upper flue)	\$399
*4620000497	Black extension flue, 614mm high (replaces existing upper flue)	

\* When purchased separately, freight charges are applicable.

## INTEGRATED HOODS



Designed to be discrete and blend into your cabinetry, the Falcon integrated undermount rangehoods deliver powerful extraction without compromising your kitchen aesthetic. Built with premium performance in mind, these discreet units quietly remove steam, smoke, and odours ensuring a fresher, cleaner environment while you cook.



## INTEGRATED UNDERMOUNT

INTEGRATED - MAX 1600<sup>3</sup>/HR (100CM) & 800M<sup>3</sup>/HR (80CM), LED LIGHTS, PUSH CONTROLS

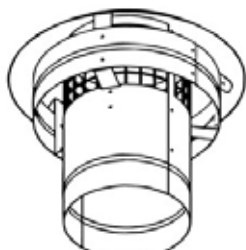
Model	Description	Price
FALUC801	Integrated Undermount 80cm Rangehood	\$3,099
FALUC1002	Integrated Undermount 100cm Twin Motor Rangehood	\$3,999



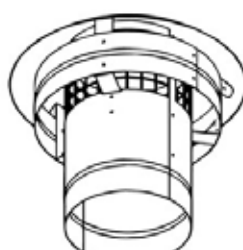
414153



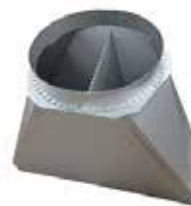
414253



414150



414250



414902

## ACCESSORIES

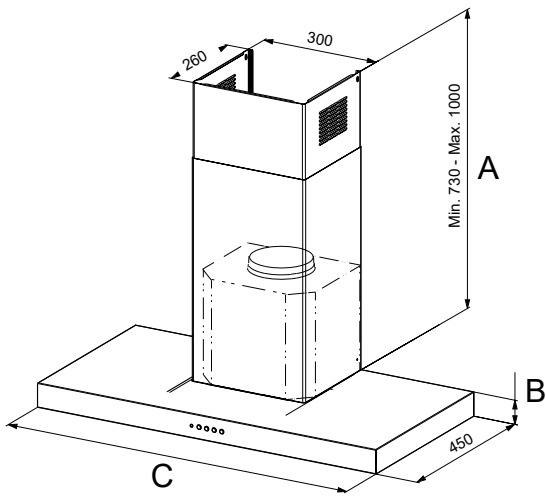
ACCESSORIES - TO SUIT SELECTED RANGEHOODS

Model	Description	Price
*414153	150mm semi rigid ducting x 3mt to suit FALUC801, FALHCDP & FALHDS models	\$99
*414253	250mm semi rigid ducting x 3mt to suit FALUC1002 only	\$129
*414150	150mm Roof Cowl to suit FALUC801, FALHCDP & FALHDS models	\$249
*414902	250mm transition piece to suit FALUC1002	\$299
*414250	250mm Roof Cowl to suit FALUC1002	\$319

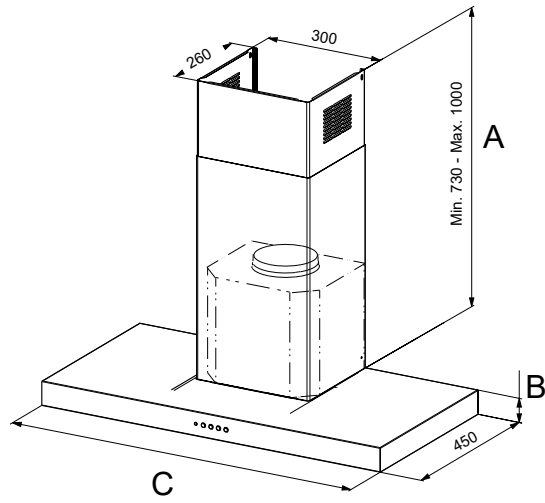
\* When purchased separately, freight charges are applicable.

# RANGEHOOD DIMENSIONS

## INFUSION CANOPIES

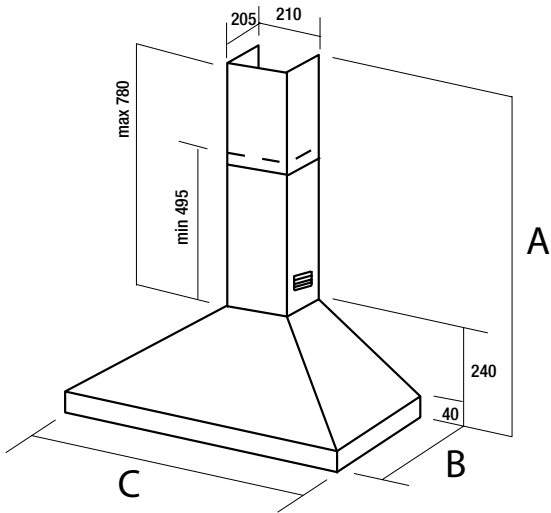


110cm Canopy  
 A: 730/1000mm  
 B: 60mm  
 C: 1098mm

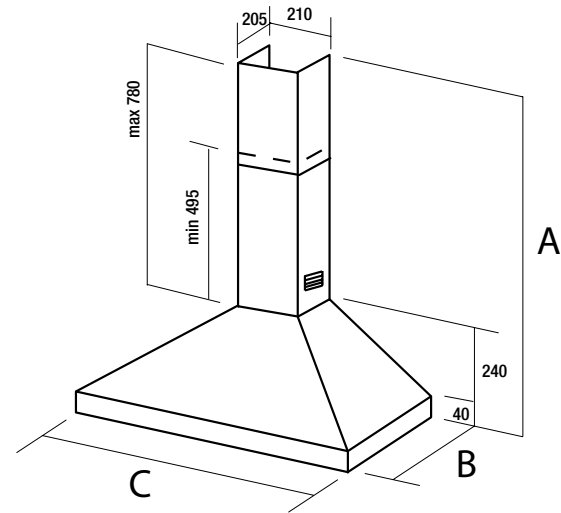


110cm Canopy  
 A: 730/1000mm  
 B: 60mm  
 C: 898mm

## CANOPY RANGEHOODS

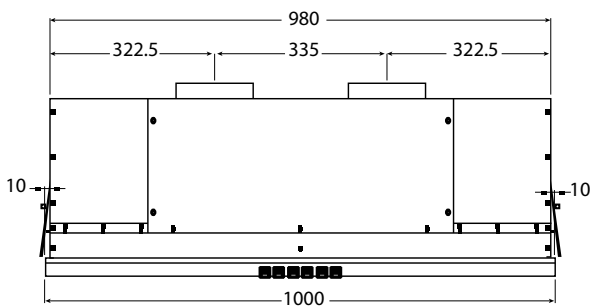


110cm Canopy  
 A: 735/1020mm  
 B: 490mm  
 C: 1098mm

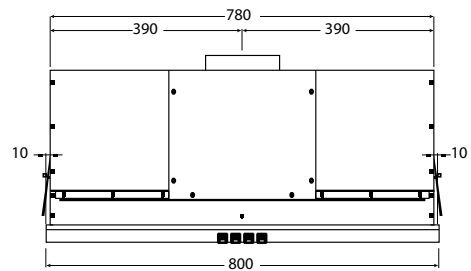


90cm Canopy  
 A: 735/1020mm  
 B: 490mm  
 C: 898mm

## INTEGRATED RANGEHOODS



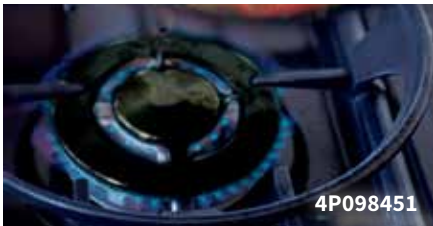
FALUC1002



FALUC801



## GAS HOB & OVEN ACCESSORIES



Model	Description	Price
4067114	Telescopic oven rail kit (2 pieces) Converts one existing shelf to telescopic mode. Additional kit required for two shelves. Suitable for both ovens on 110cm range cookers. Suitable for left hand oven only on 90cm or 100cm range cookers. Telescopic kit will not fit right hand ovens in 90cm, 100cm or FX/FXP 90cm range cookers. Handyrack must be removed if telescopic kit is fitted.	\$129
4P098451	Wok Cradle Supplied standard with: CDL110DF, CDL90DF, CLA90FXDF, NEXSE110DF, NEX110DF, NEX90DF, PROPL100FX, PROP90FX & PROP90FXP	\$169
4P098259	Griddle Plate Supplied standard with: CDL90DF, NEX90DF & PROPL100FX	\$259
4P048035	HandyRack Supplied standard with: CDL90DF, CDL110DF & KCH90DFF. Not suitable for PROP90FX/FXP or PROPL100FX. Telescopic rails must be removed if Handyrack is fitted.	\$259
4P048034	Teppanyaki Style Griddle Plate Supplied standard with: CLA90FX & PROP90FX/FXP	\$499

All gas hob accessories are available to purchase as an optional extra. Falcon's Wok Cradle will fit all dual fuel and gas cookers. Falcon's Teppanyaki Style Griddle Plate and Griddle Plate will fit all dual fuel and gas cookers excluding the Elise (ELS).



## Cheminee

02 9564 2694

[cheminee.com.au](http://cheminee.com.au)

[sales@cheminee.com.au](mailto:sales@cheminee.com.au)

Showroom: 118 Stanmore Road, Stanmore (Corner Wemyss St), NSW

Copyright @ AGA Rangemaster Limited 2025

Brand names, words and logos are registered trademarks of AGA Rangemaster Limited

Falcon is a trading name of AGA Rangemaster Limited

Registered in England and Wales under registration number 3872754

Registered office: AGA Rangemaster, Meadow Lane, Long Eaton, Nottingham, NG10 2GD, United Kingdom

 **MADE IN  
BRITAIN**  
SINCE 1830

October 2025

Falcon continuously seeks improvements in specification, design and production of products and thus, alterations and design changes such as plinth design take place periodically. Images are for illustrative purposes only. Whilst every effort is made to produce up-to-date literature, this brochure should not be regarded as an infallible guide to current specification, nor does it constitute an offer for the sale of any particular appliance.